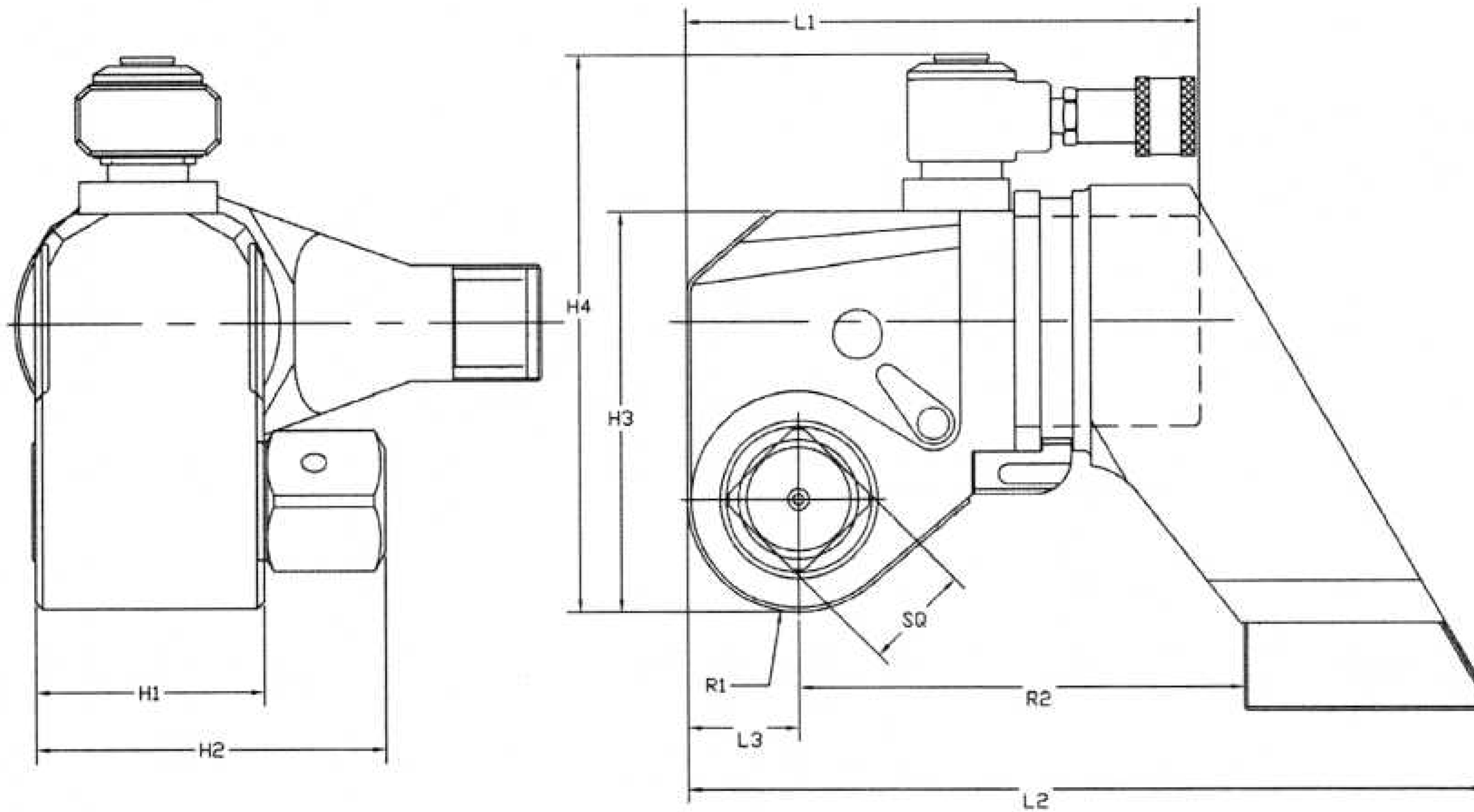


HYTORC

APPENDIX B

XLT DIMENSIONAL DATA

IMPERIAL



	Inches								Lbs.	Ft. Lbs.
	L1	L2	H1	H2	H3	H4	R1	R2	Weight*	Max Torque
HY-.5XLT	3.00	4.91	1.32	1.88	3.00	4.25	0.65	2.57	1.85	397
HY-5XLT	7.10	11.11	3.15	4.49	5.80	7.70	1.56	6.15	16.75	5,590
HY-8XLT	7.70	12.57	3.57	5.09	6.50	8.50	1.76	6.96	24.95	8,000
HY-25XLT	11.80	18.52	5.25	7.48	9.60	11.50	2.60	10.25	68.5	25,890
HY-50XLT	15.50	22.99	6.57	9.36	11.00	12.80	3.25	12.82	124	52,500

	HY-.5XLT	HY-1XLT	HY-3XLT	HY-5XLT	HY-5XLT	HY-10XLT	HY-20XLT	HY-25XLT	HY-50XLT
Square Drive	½"	¾"	1"	1-½"	1-½"	1-½"	2-½"	2-½"	2-½"
Min. Torque (ft.lbs.)	55	200	480	835	1,200	1,755	2,960	3,960	7,875
Max. Torque (ft.lbs.)	397	1,340	3,230	5,590	8,000	11,520	19,760	25,890	52,500
Accuracy	± 3%	± 3%	± 3%	± 3%	± 3%	± 3%	± 3%	± 3%	± 3%
Swivel 360° x 180°	STANDARD								
Uni-Body Housing	TITAL399								
Click-On Reaction Arm	TITAL300, Vertical, 360°, Tension absorbing								

*The weight listed is for the complete ready-to-use HYTORC tool with reaction arm.

Technical data and specifications are subject to change without notice.